



ANTRIEBSELEMENTE

Foundation blocks DIN 799

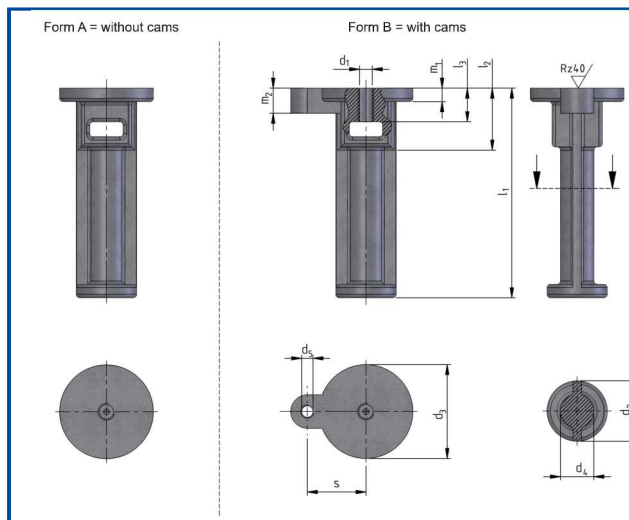


Foundation blocks DIN 799

- Form A without cams
- Form B with cams for adjustment (grub screw DIN 914)
- Optimum damping qualities (EN-GJL 200)
- Ex warehouse available
- Delivery including screws



Form A and B



Basic drawing

d_1	l_1	d_2	d_3	d_4	d_5 ²⁾	l_2	l_3	l_4	m_1	m_2 ²⁾	s ²⁾	Form A weight / piece	Form B weight / piece
M10	125	36	56	20	M8	35	20	35	8	15	35	0,8	1
M12	150	40	72	22	M12	40	22	50	10	20	50	1,2	1,4
M16	180	45	85	25		50	25	60	12	20	73	2,1	2,2
M20	200	50	100	28		56	28	70	14	20	73	3,0	3,1
M24	250	64	125	36	M16	70	36	80	18	25	80	4,7	4,9
M30	280	72	140	40		79	40	120	20	30	100	7,3	8,3
M36	340	90	180	50	M20	100	50	160	25	25	115	14,5	15,3
M42	425	112	225	60		120	60	180	28	30	140	24,5	24,9
M48	475	125	250	64	M24	129	64	220	30	32	150	30,2	30,9

Dimensions