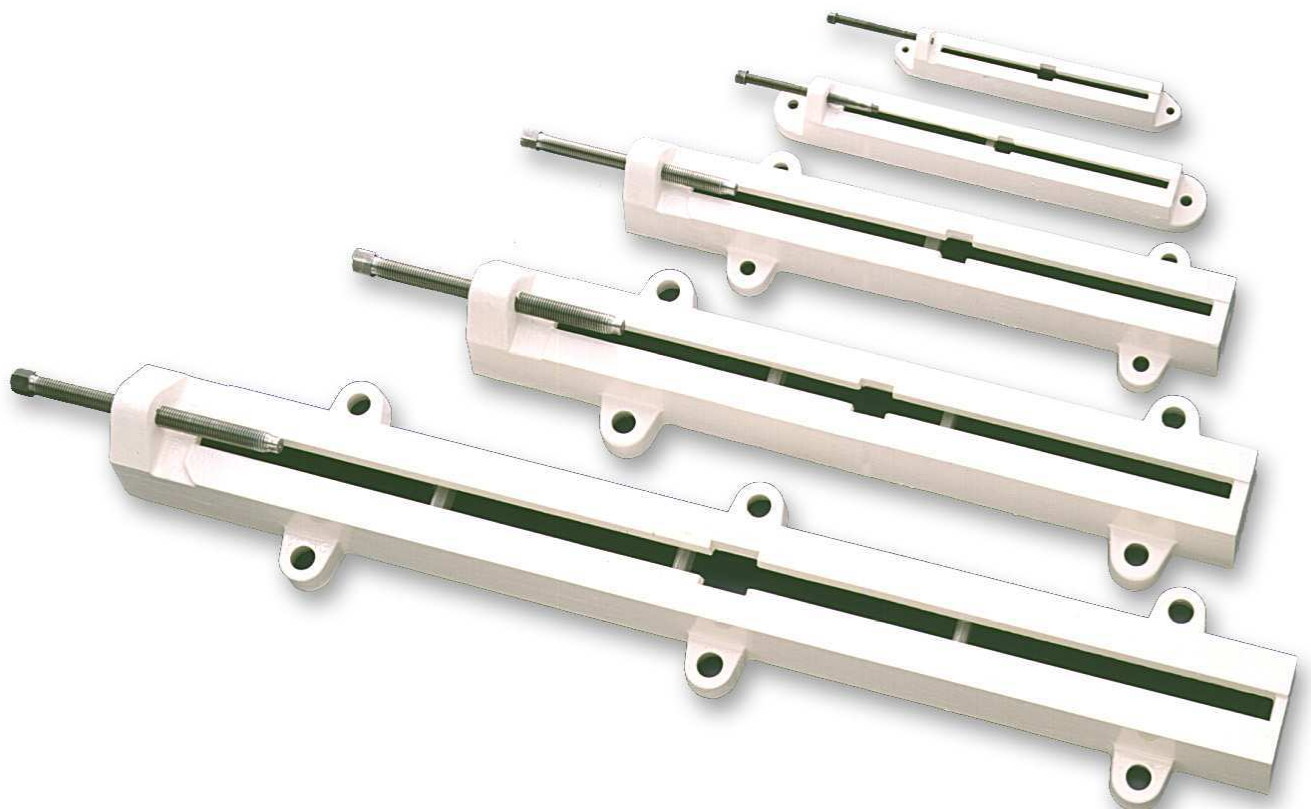




ANTRIEBSELEMENTE

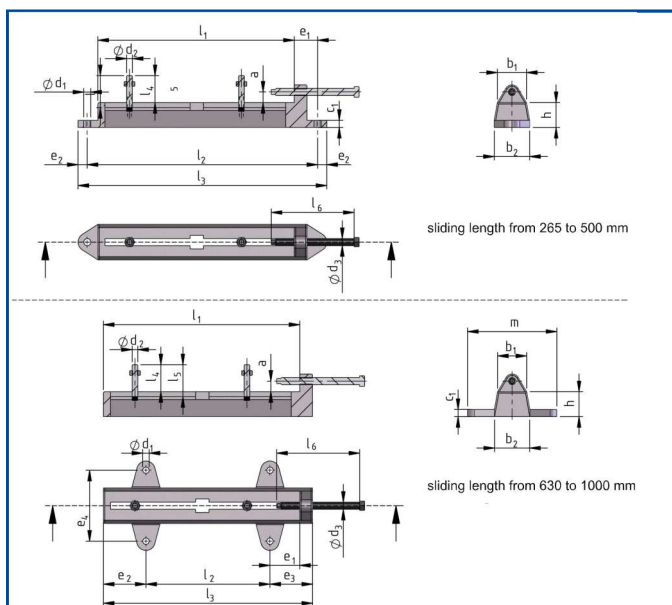
Motor slide rails DIN 42923



www.luetgert-antriebe.de

Motor slide rails DIN 42923

- Best damping qualities (EN-GJL 200)
- Further dimensions on request
- Optimal adjustability
- Clamping screws and motor fixing bolts inclusive
- Big Storage - quick delivery time
- Galvanised bolts: additional price on request



Motor-size	sliding length l_1	a	b_1	$b_2 \approx$	c_1 max	d	e_1	e_2	e_3	e_4	h	l_2	l_3	Motor- fixing-bolts	Clamping screw	Weight per kit kg
80 und 90	265	6	40	50	18	10	45	15	-	-	35	325	355	M 8 x 35	M 10 x 120	3
	315	8	45	55	18	12	55	20	-	-	35	390	430	M 8 x 35	M 12 x 160	5
100	355	8	50	65	23	12	55	20	-	-	40	430	470	M 10 x 45	M 12 x 160	8
112 und 132	400	8	55	70	25	15	65	25	-	-	45	480	530	M 10 x 45	M 12 x 160	10,5
160 und 180	500	12	70	85	30	19	80	30	-	-	55	610	670	M 12 x 60	M 20 x 240	19,5
200 und 225	630	12	85	100	35	19	80	80	160	130	65	470	710	M 16 x 70	M 20 x 240	26
250 und 280	800	16	100	120	35	28	100	100	200	165	75	600	900	M 20 x 90	M 24 x 300	49,5
315	1000	16	120	140	35	28	140	140	240	190	80	720	1100	M 24 x 100	M 24 x 300	72
355	1250	16	120	140	35	28	140	140	240	190	80	485	1350	M 24 x 100	M 24 x 300	85