

VIBRATION ABSORBER

TYPE VD

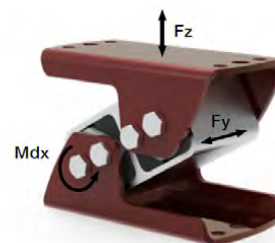
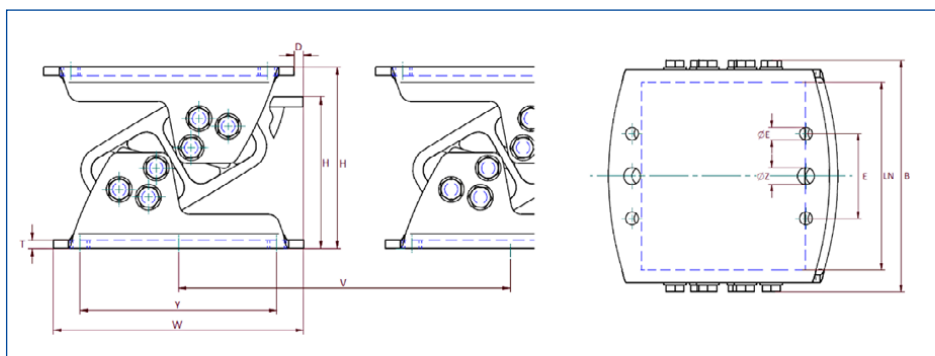
The RESATEC vibration absorber mounts type VD are mainly suitable for super-critical isolation. The large spring travel results in a soft bearing and thus a small natural frequency. The excitation frequency can be up to 50 Hz depending on the amplitude. The frequency ratio of the natural frequency to the excitation frequency should be at least 1:1.4. The vibration damper can be loaded in tensile, pressure and shear.

Material

housing: Aluminium

core profile: Aluminium

support: steel with powder coating



Dimensions

type	H		D	W	B	LN	T	E	øE +/- 0.2	øZ +/- 0.2	Y	V	weight
	unloaded	max. load	max. load									mm	kg
VD 4 - 50	73	57	1.5	115	76	50	4	30	9	11	80	145	0.92
VD 5 - 60	97	82	2.0	150	84	60	4	40	9	11	10	185	1.4
VD 6 - 80	128.5	108	4.8	16	126	80	5	50	11	13.5	150	210	3.6
VD 7 - 110	162	138	8	220	158	110	6	80	13.5	18	170	255	6.6
VD 8 - 120	170	138	10	235	179	120	6	90	13	18	185	260	8.5
VD 8 - 200	170	138	10	235	259	200	6	90	13	18	185	260	14.1

Load values / capacity limits

type	load				natural frequency fe		kinetic energy absorption
	Fz		Mdx	Fy	min. Fz	max. Fz	Nm
	min. N	max. N	max. Md N	max. Nm	Hz	Hz	
VD 4 - 50	440	1300	49	260	7.5	5	70
VD 5 - 60	700	200	69	325	6.8	4.6	96
VD 6 - 80	1200	3800	170	515	5.9	3.9	240
VD 7 - 110	2200	6100	350	735	5.2	3.6	490
VD 8 - 120	3500	11000	570	865	4.5	3.8	790
VD 8 - 200	6300	19000	950	1080	4.5	3.8	1320